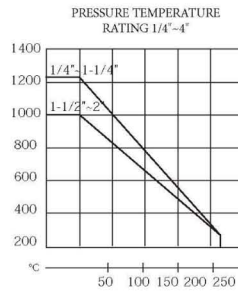
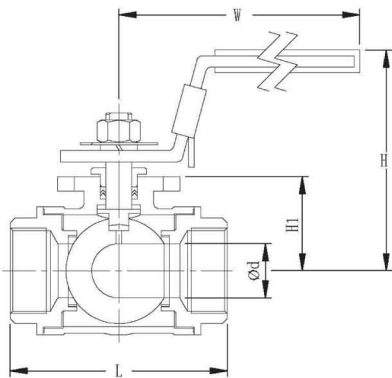


# 3 Way High Mounting Pad Ball Valve



Dimension: mm



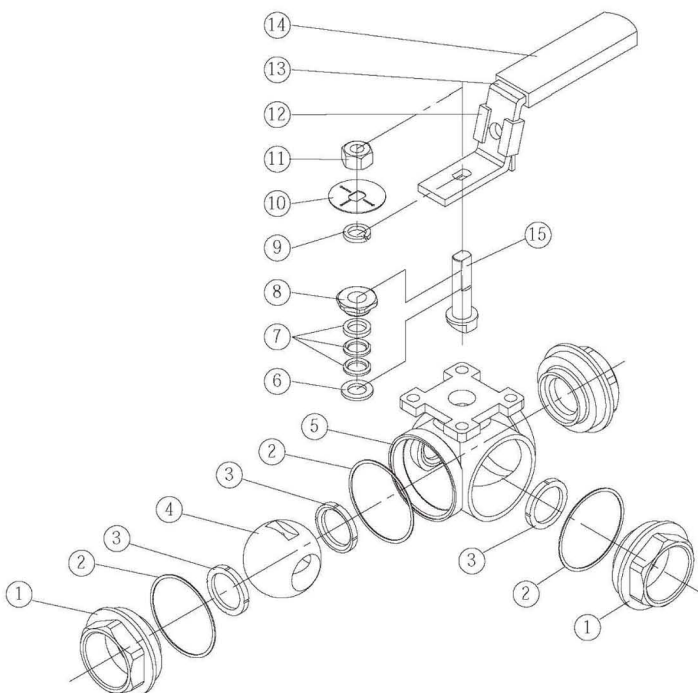
## HOW TO ORDER

KB - 3W - 304 - 1/2  
 3 Way Ball Valve      304: SS 304      Port Size (NPS)  
    316: SS 316

3 Way T/L Port 3  
 Investment Casting Body  
 Blow-out Proof Stem  
 Full Port  
 1000PSI PN63  
 Standard: ASME B 16.34  
 All Kinds Threaded Standard  
 Locking Lever Available  
 Testing: API598

SIZE	ØD	L	W	H	H1	ISO5211
1/4"	8	50	112	57.5	21	F03
3/8"	8	50	112	57.5	21	F03
1/2"	12	68	115	69	30	F03
3/4"	15	78	115	72	34	F04
1"	20	90	135	77	37	F04
1-1/4"	25	105	150	86	44.5	F04
1-1/2"	32	120	182	95	52.5	F05
2"	43	140	215	122	66.5	F07

## Constructure Drawing



MATERIAL LIST			
ITEM	PART NAME	MATERIAL	
1	Cap	CF8M	CF8
2	Body Gasket	PTFE	
3	Ball Seat	PTFE	R-PTFE
4	Ball	SS316	SS304
5	Body	CF8M	CF8
6	Thrust Washer	PTFE	
7	Stem Packing	PTFE	
8	Stop Cap	SS304	
9	Spring Washer	SS304	
10	Direction Washer	Aluminum	
11	Stem But	SS304	
12	Locking Device	SS304	
13	Handle	SS304	
14	Handle Cover	Plastic	
15	Stem	SS316	SS304